

Betriebsanleitung
 Operating Instructions
 Instructions de service
 Istruzioni d'uso
 Handleiding
 Instrucciones para el manejo
 Manual de instruções
 Naudojimosi instrukcija
 Kasutusjuhend
 Lietošanas instrukcija
 Οδηγίες χρήσης
 取扱説明書
 사용설명서

Driftsinstruks
 Driftsinstruktioner
 Käyttöohje
 Driftsvejledning
 Instrukcja obsługi
 Kezelési útmutató
 Návod k obsluze
 Navodilo za uporabo
 Návod na obsluhu
 El Kitabi
 Инструкција по експлуатации
 使用说明书

U 4.70

2006/42/EG






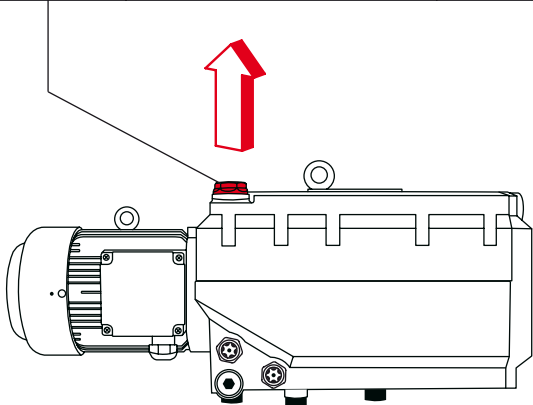
DIN EN ISO 14001:2005

DIN EN ISO 9001
001929 QM

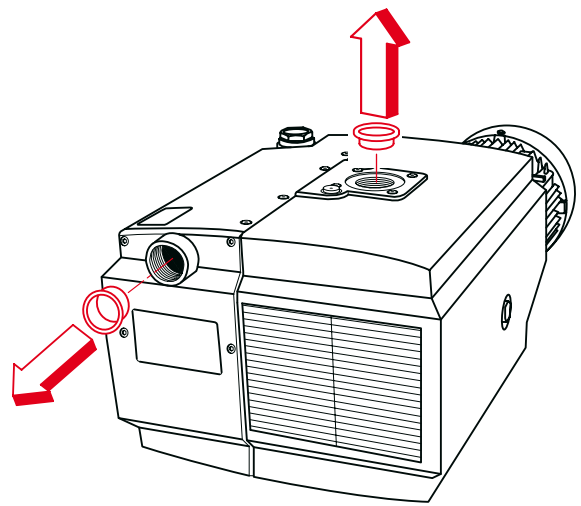
<p>Becker Lube M/S/SL 100 ▷ 2,0 Liter</p>		<p>MAX. VACUUM</p>		mbar
			<p>MAX.</p>	
<p>AIR</p>		<p>DIN EN ISO 3744</p>	<p>L_{pA} = 67 dB(A) - 50Hz L_{pA} = 68,5 dB(A) - 60Hz K_{pA} = 3 dB(A)</p>	

<p>64,5 kg 142,2 lbs</p>		<p>A > 100mm A > 4"</p>	<p>> 5°C/41°F < 40°C/104°F</p>	<p>max. 90%</p>	<p>max. 800m</p>
<p>1</p>		<p>2</p>			




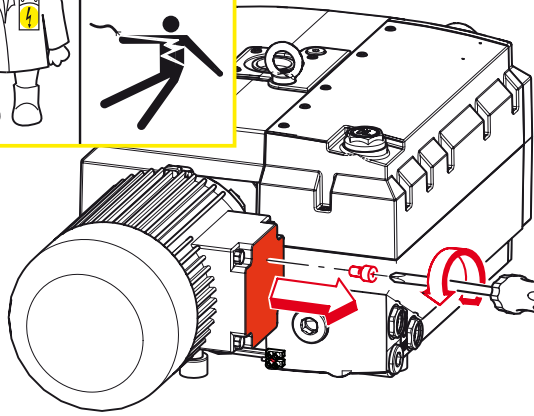
28100026100 01/10

  2,0 Liter	Becker Lube M 100 (Mineral oil) ▷ No.: 96000900000 Becker Lube S 100 (Synthetic oil) ▷ No.: 96001600100 Becker Lube SL 100 Food ▷ No.: 96002300100	MAX 
		


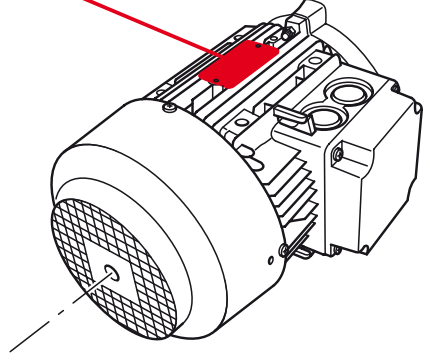
3



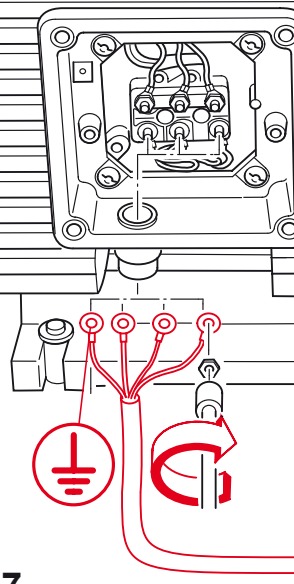



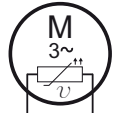
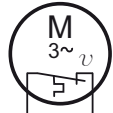
4



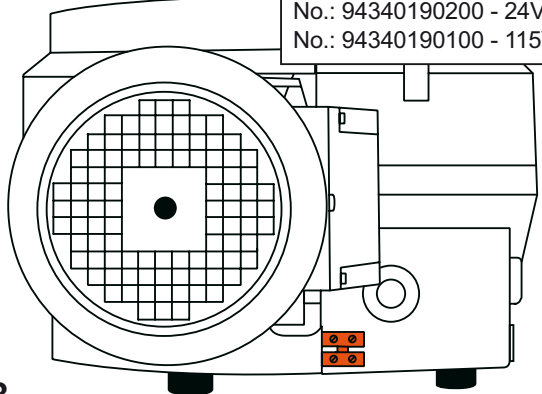
5

	BECKER Mat.Nr. XXXXXX ENXXXX CE 3~Mot. XXXXXXXX NoUp. XXXXXX xx	
	<table border="1"> <tr> <td> 50 Hz XXKW XXX-XXX / XXX-XXX V Δ / Y XX-XX / XX-XX A cos φ 0.XX-0.XX XXXX-XXXX /min </td> <td> 60 Hz XXKW XXX-XXX / XXX-XXX V Δ / Y XX-XX / XX-XX A cos φ 0.XX-0.XX XXXX-XXXX /min </td> </tr> </table>	50 Hz XXKW XXX-XXX / XXX-XXX V Δ / Y XX-XX / XX-XX A cos φ 0.XX-0.XX XXXX-XXXX /min
50 Hz XXKW XXX-XXX / XXX-XXX V Δ / Y XX-XX / XX-XX A cos φ 0.XX-0.XX XXXX-XXXX /min	60 Hz XXKW XXX-XXX / XXX-XXX V Δ / Y XX-XX / XX-XX A cos φ 0.XX-0.XX XXXX-XXXX /min	
		

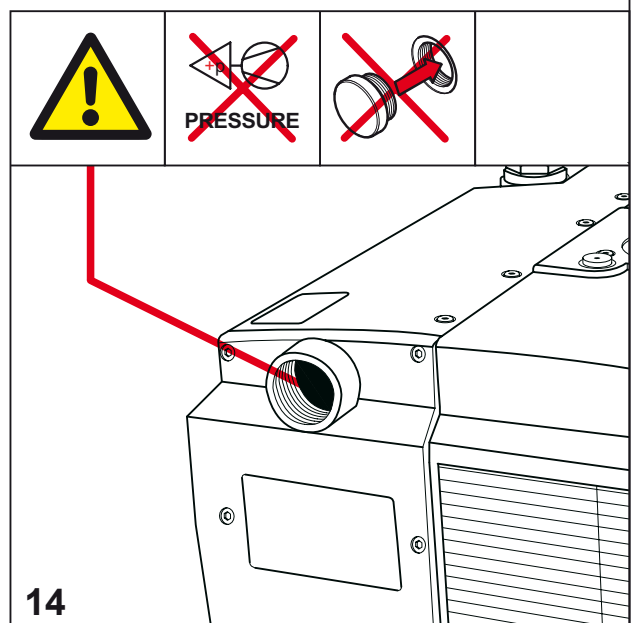
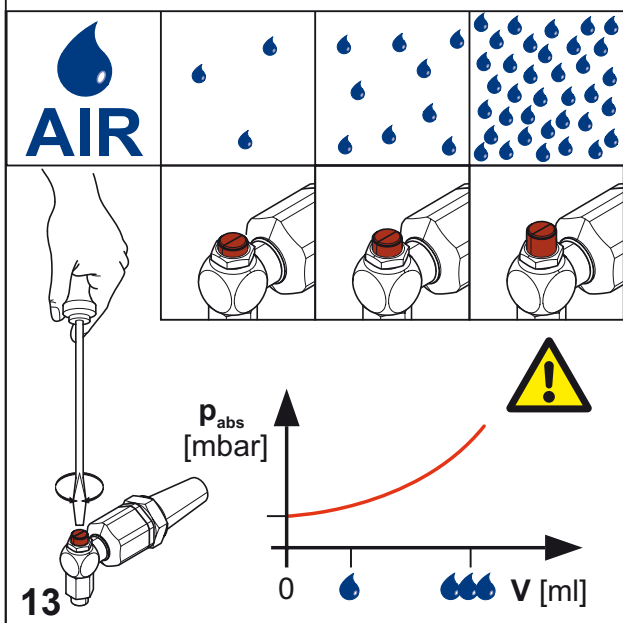
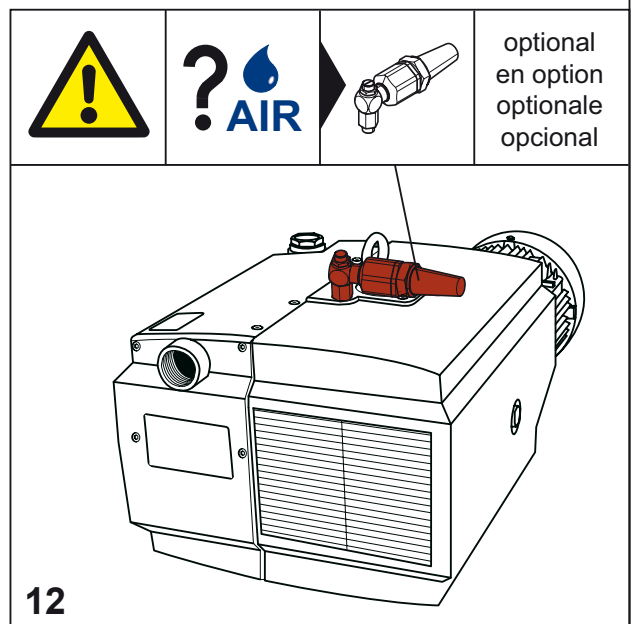
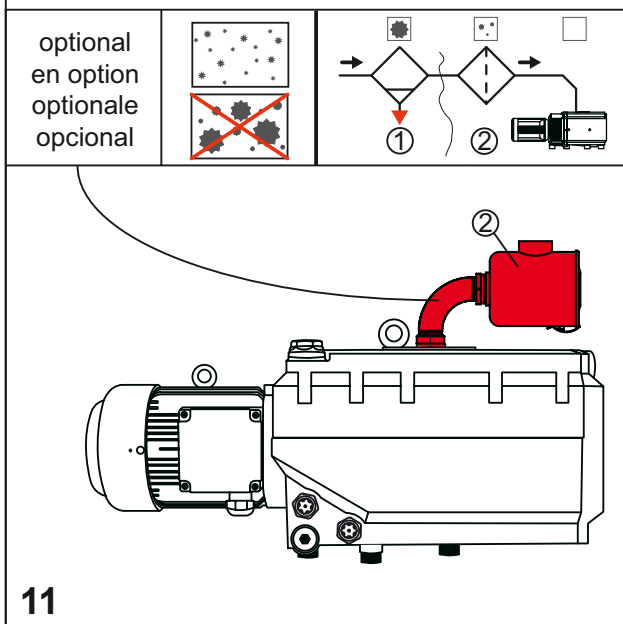
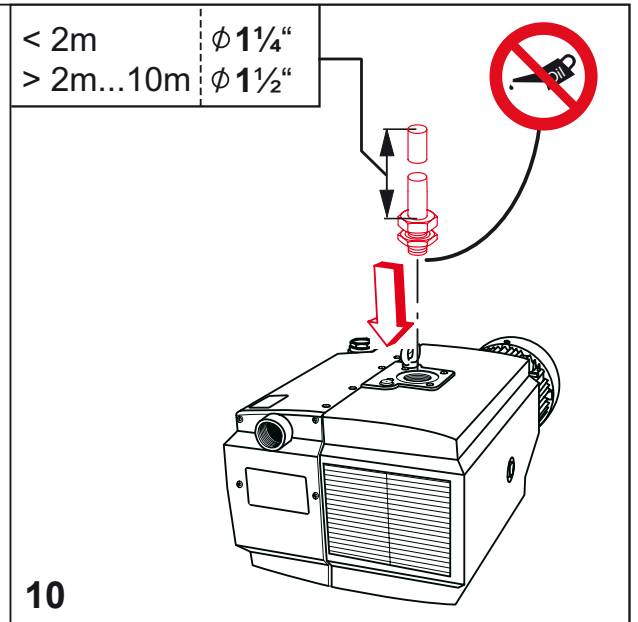
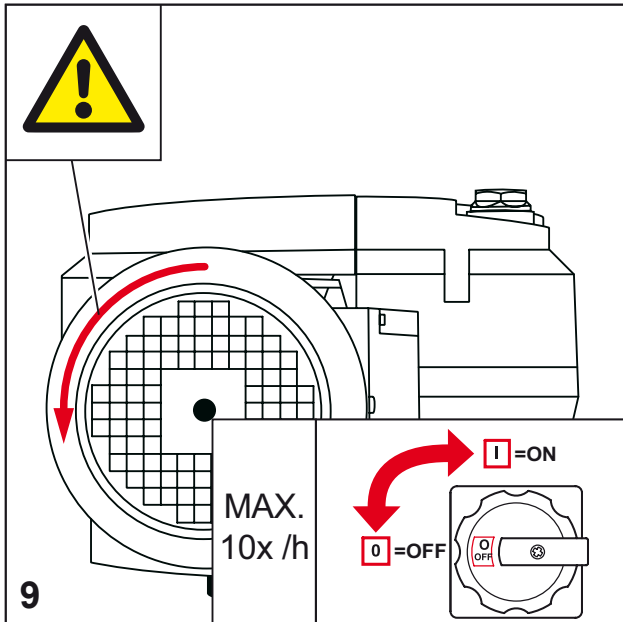
6

	
	<p>L2 L1 L3</p>  <p>U1 V1 W1</p> 
	<p>optional</p>  <p>PTC</p>  <p>Bi-metal</p>

7

Pt 100 	optional en option optionale opcional	
		No.: 94340190000 - 230V No.: 94340190200 - 24VDC No.: 94340190100 - 115V

8



A.

B.

40 h

Becker Lube
M/S/SL 100

C.

D.

Oil


1. = 100 h
2. = 1.000 h
3. = 2.000 h
... (min. 2x/a)

> 2,0 Liter

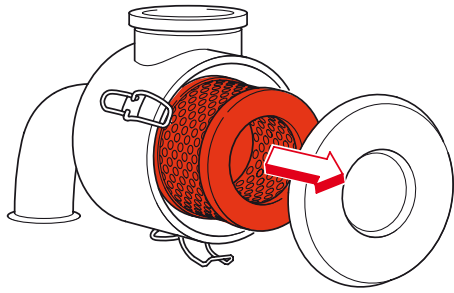
Becker Lube **M 100** (Mineral oil)
▷ No.: 96000900000
Becker Lube **S 100** (Synthetic oil)
▷ No.: 96001600100
Becker Lube **SL 100 Food**
▷ No.: 96002300100

E.

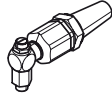
F.



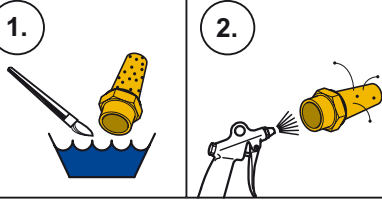
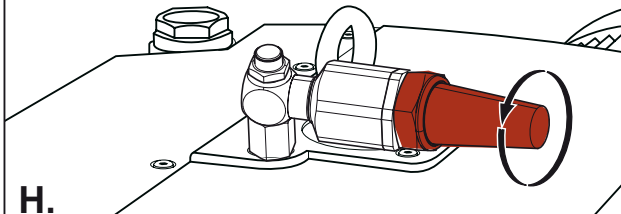
40 - 200 h **AIR ?**




G.



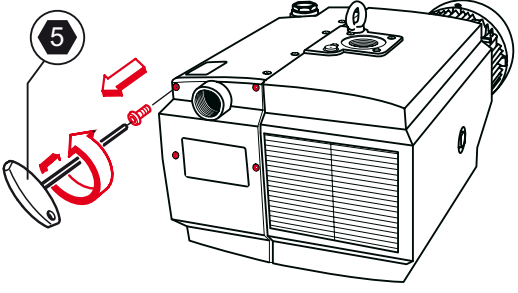
1000 h


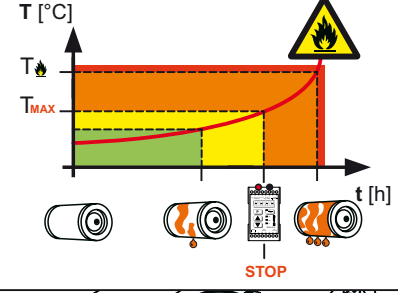
H.




2000 h




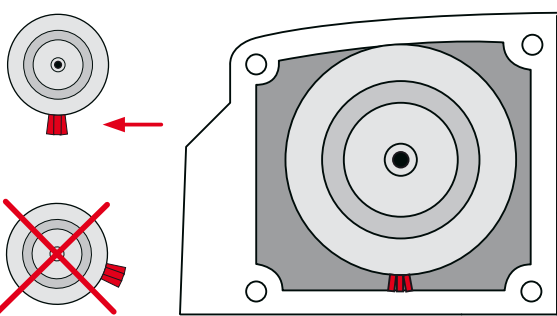
I.


J.



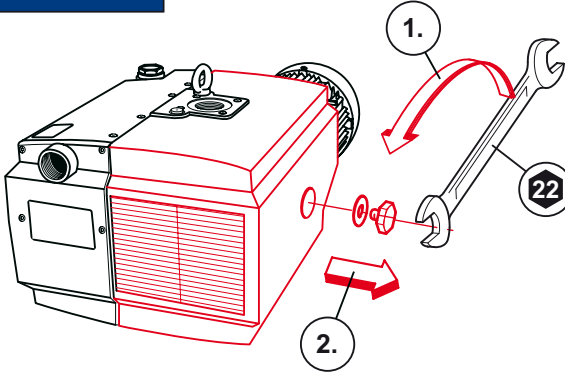
Pos. 83
No.: 96541600000

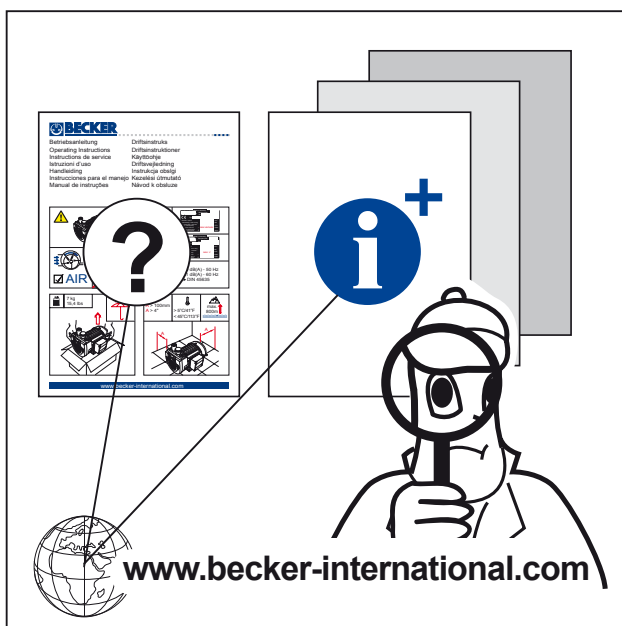
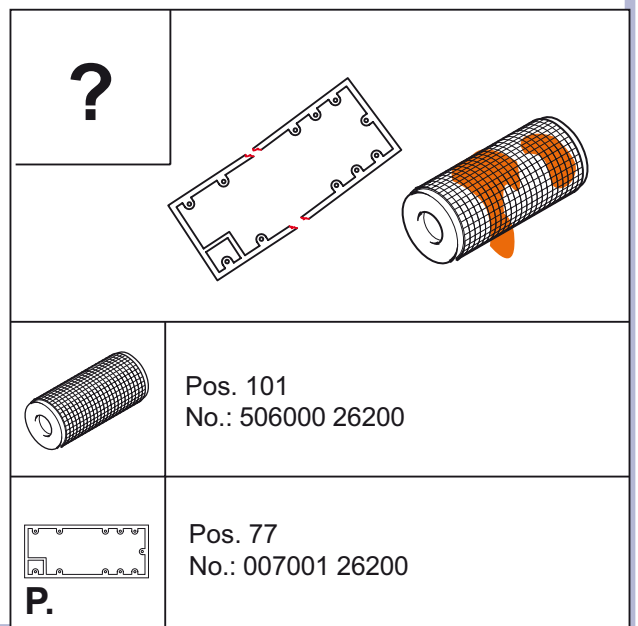
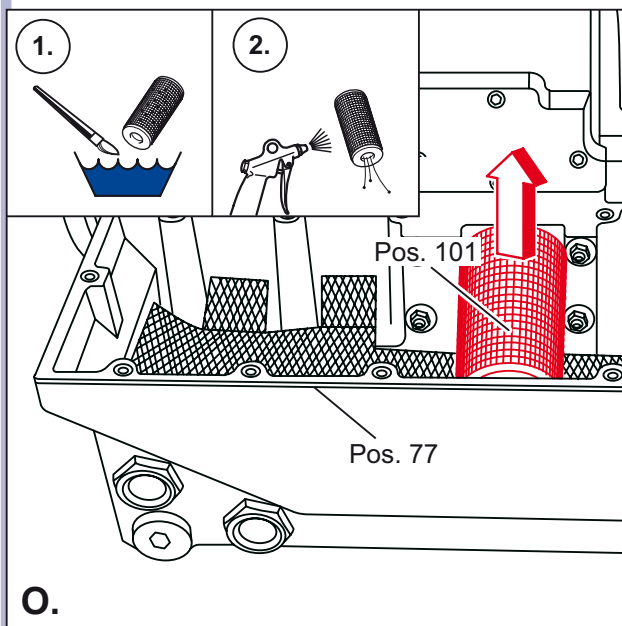
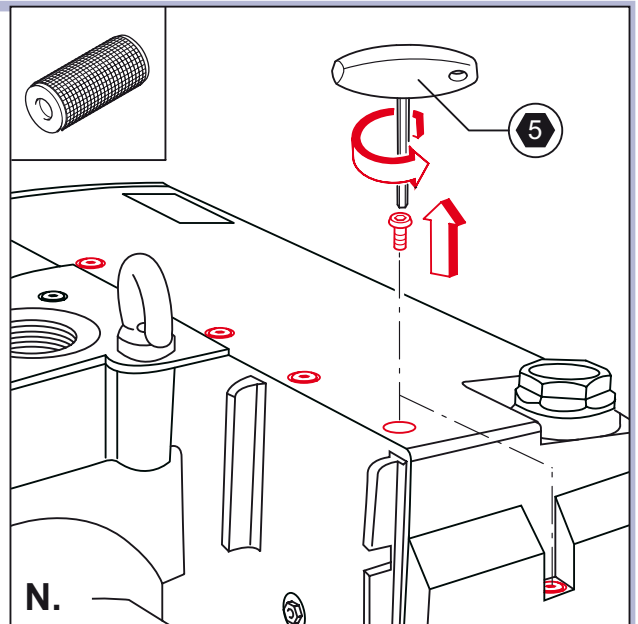
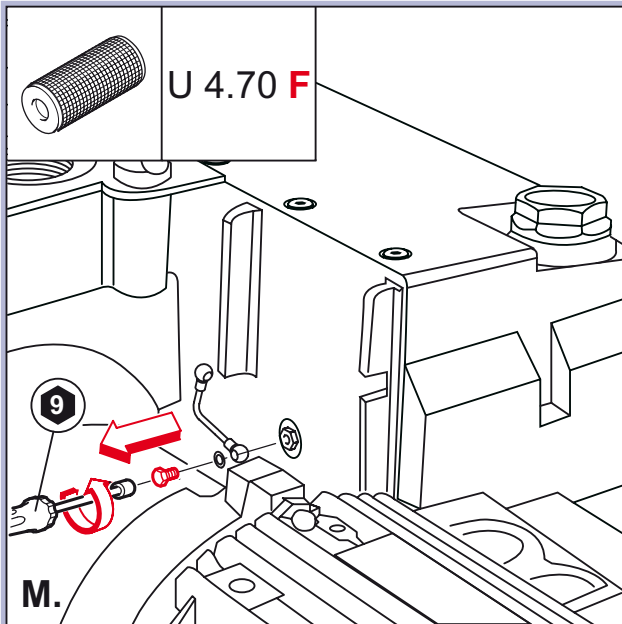
K.



5000 h



L.



BECKER

Gebr. Becker GmbH
Hölker Feld 29-31
D-42279 Wuppertal

info@becker-international.com

(D) Service:
Tel: +49 (0)202 697-171
Fax: +49 (0)202 64 44 74